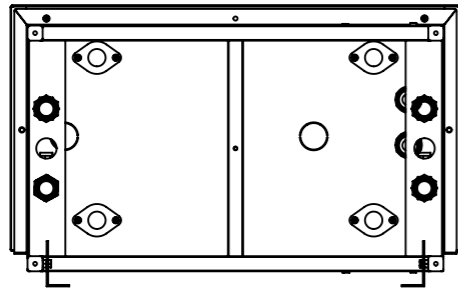
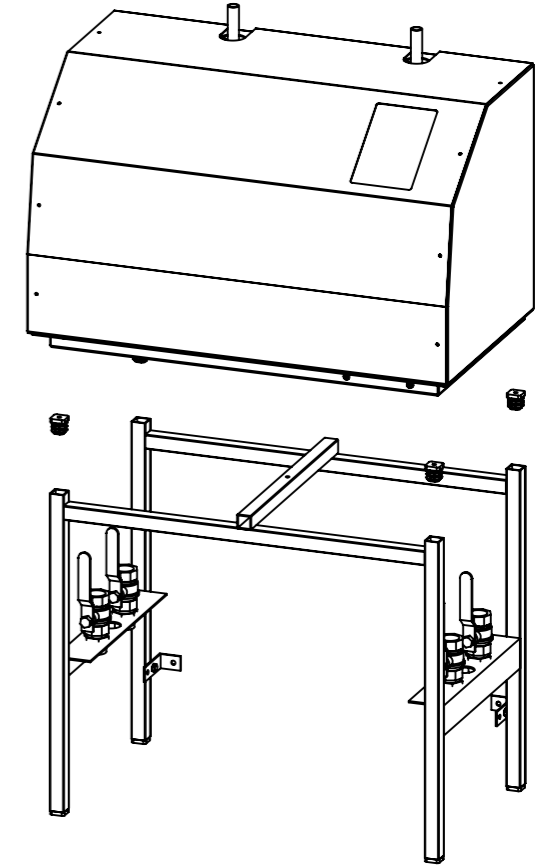
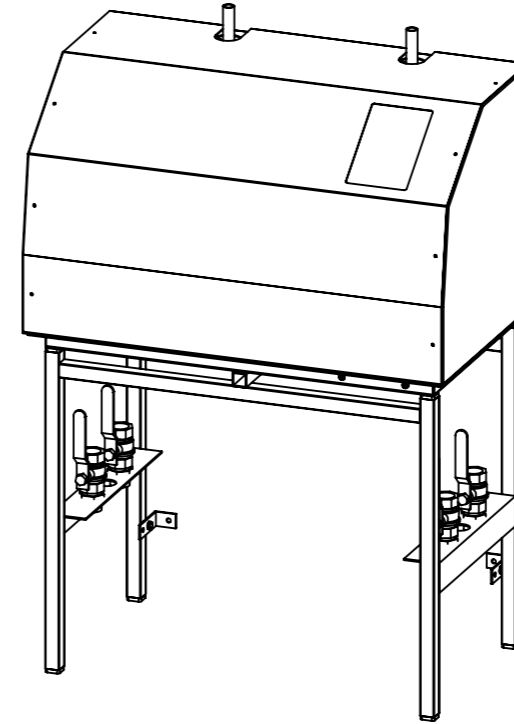
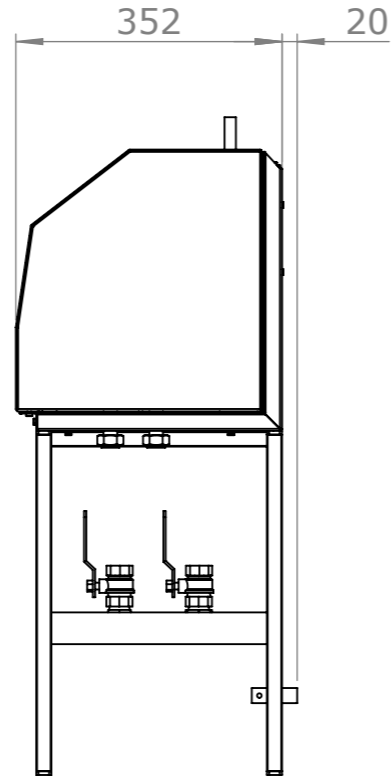
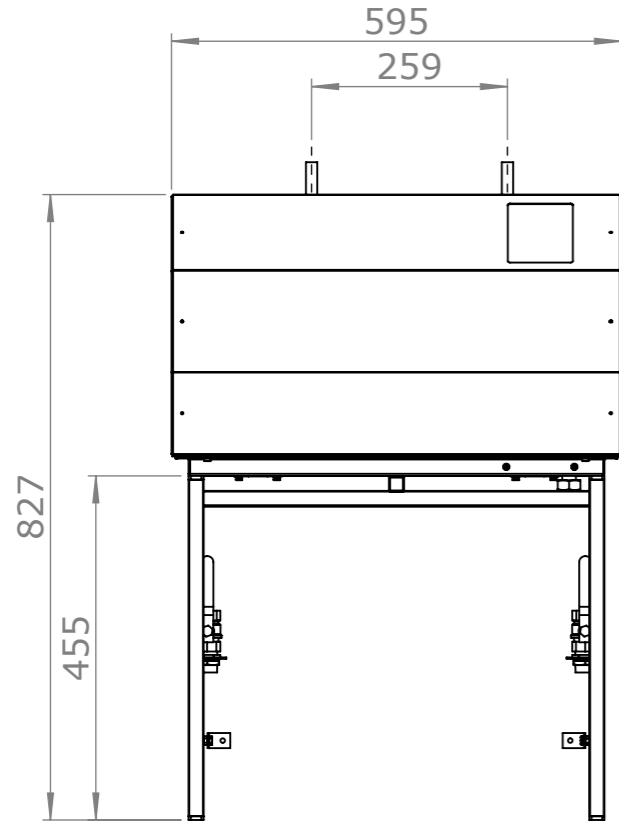


Alle rechten voorbehouden
 reproduktie of gebruik in enige vorm
 t.b.v. derden is niet toegestaan zonder
 schriftelijke toestemming van de eigenaar
 All rights reserved. Reproduction or issue
 to third parties in any form whatever is
 not permitted without the written authorisation
 from the proprietor



 THIS DRAWING IS PROPERTY OF ITHODAALDEROP BV.	Tolerance NEN ISO 2768	Projection view	Scale	Format
	Form & Orientation tolerance according ISO 1101		1:10	A3
Created by		Checked		
Creation date		Status FOR INFORMATION ONLY		
Change No°	Material	Units	Sheets	Version
Change date	Mass -	mm	1/1	
Vloerframe BWP		Articlenumber	Revision	
		XXX-XXXX	000	